

## B Series – Modular

- ▶ MOPD: 400 PSI (28 Bar)
- ▶  $C_v$  Range: 0.018 to 0.430 ( $K_v$  Range: 0.016 to 0.372)
- ▶ 7 Watts

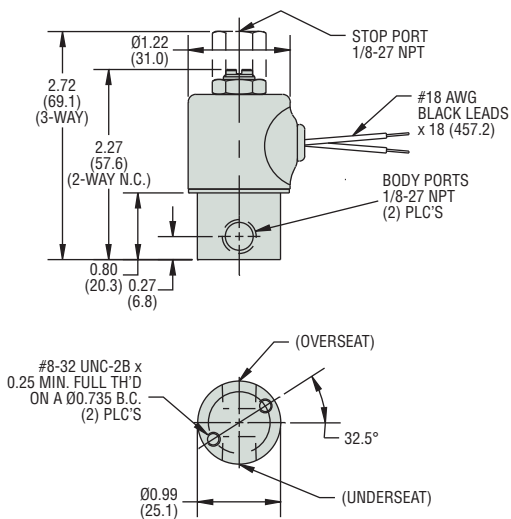
The B Series is a direct acting solenoid valve, available in 2- or 3-way functionality. Like all of our valves, the B Series has bubble tight plunger construction and is designed to last for millions of cycles in general purpose liquid, gas, and vacuum applications. The B Series is available in various orifice sizes, a variety of body materials, wattages, and coil constructions for the utmost adaptability to your application requirements. The B Series is an excellent choice for most general-purpose application requiring a  $C_v$  of 0.018 to 0.430 ( $K_v$  of 0.016 to 0.372).

### Typical Applications

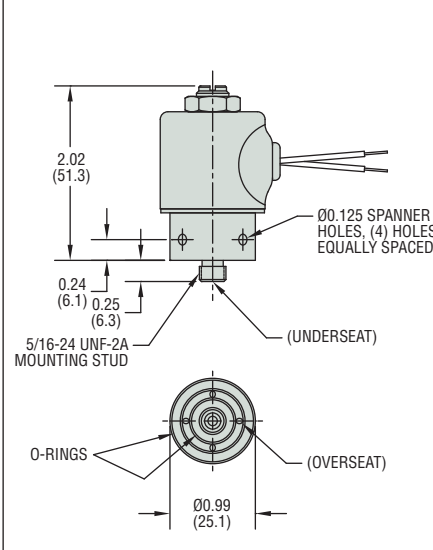
- Printing
- HVAC
- Semiconductor Equipment
- Medical Equipment

### Dimensions

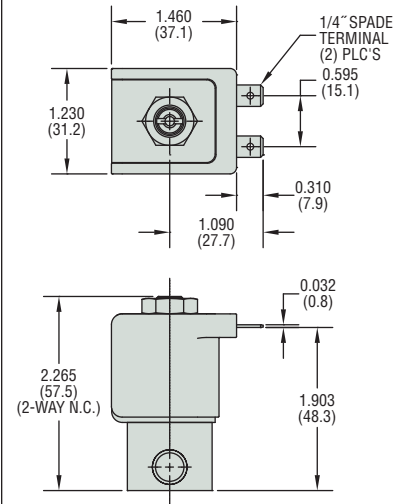
#### Threaded Port Body



#### Manifold Mount Body



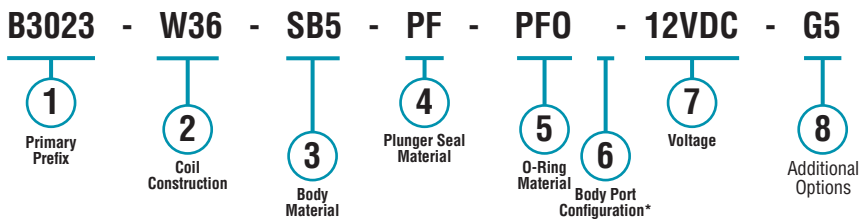
#### Molded Coil



Next Day Shipping  
On Many Configurations

### How To Order

Use the **Bold** characters from the choices listed on the following page to construct a product code.



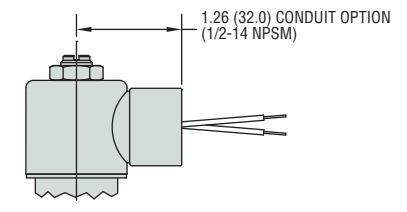
\* Blank entry indicates a "Standard" selection (1/8-27 NPT female thread, in this case).

#### Example:

B3023-W36-SB5-PF-PFO-12VDC-G5

2-Way N.C. Free Vent (with 1.26 Conduit Option) solenoid valve, with 36" (91cm) tape-wrapped coil, lead-wired, non-standard length, 316 stainless steel body, perfluoroelastomer plunger seal, perfluoroelastomer o-ring, 1/8-27 NPT female thread, operating at 12 VDC, and includes a one piece 316 stainless steel guide assembly option.

#### Alternate 1/2" Conduit Housing Available on all body configurations





Take advantage of next day shipping by making your selections from those marked with the Lightning Bolt icon.

Part Prefix Table ①

	Orifice				MOPD		C <sub>v</sub>		K <sub>v</sub>		① Primary Prefix	
	Body		Stop		psig	bar	Body	Stop	Body	Stop	Grommet Housing	Conduit Housing
	inches	mm	inches	mm								
2-WAY N.C.	1/16	1.59	—	—	400	28	0.065	—	0.056	—	B2011	B2021
	5/64	1.98	—	—	300	21	0.090	—	0.078	—	B2012	B2022
	3/32	2.38	—	—	250	17	0.155	—	0.134	—	B2013	B2023
	7/64	2.78	—	—	200	14	0.200	—	0.173	—	B2014	B2024
	1/8	3.18	—	—	150	10	0.240	—	0.208	—	B2015	B2025
	5/32	3.97	—	—	100	6.9	0.300	—	0.259	—	B2016	B2026
	3/16	4.76	—	—	50	3.4	0.430	—	0.372	—	B2017	B2027
2-WAY N.O.	—	—	1/32	0.79	400	28	—	0.019	—	0.016	B2211	B2221
	—	—	3/64	1.19	300	21	—	0.040	—	0.035	B2212	B2222
	—	—	1/16	1.59	200	14	—	0.075	—	0.065	B2213	B2223
	—	—	5/64	1.98	150	10	—	0.090	—	0.078	B2214	B2224
3-WAY N.C. Free Vent	1/32	0.79	1/32	0.79	250	17	0.018	0.018	0.016	0.016	B3011	B3021
	3/64	1.19	3/64	1.19	175	12	0.040	0.040	0.035	0.035	B3012	B3022
	1/16	1.59	1/16	1.59	125	8.6	0.065	0.070	0.056	0.061	B3013	B3023
	5/64	1.98	5/64	1.98	100	6.9	0.090	0.090	0.078	0.078	B3014	B3024
	3/32	2.38	5/64	1.98	75	5.2	0.155	0.090	0.134	0.078	B3015	B3025
	1/8	3.18	5/64	1.98	50	3.4	0.240	0.090	0.208	0.078	B3016	B3026
	5/32	3.97	5/64	1.98	15	1.0	0.300	0.090	0.259	0.078	B3017	B3027
3-WAY N.C. Line Connection	1/32	0.79	1/32	0.79	250	17	0.018	0.018	0.016	0.016	B3111	B3121
	3/64	1.19	3/64	1.19	175	12	0.040	0.040	0.035	0.035	B3112	B3122
	1/16	1.59	1/16	1.59	125	8.6	0.065	0.070	0.056	0.061	B3113	B3123
	5/64	1.98	5/64	1.98	100	6.9	0.090	0.090	0.078	0.078	B3114	B3124
	3/32	2.38	5/64	1.98	75	5.2	0.155	0.090	0.134	0.078	B3115	B3125
	1/8	3.18	5/64	1.98	50	3.4	0.240	0.090	0.208	0.078	B3116	B3126
	5/32	3.97	5/64	1.98	15	1.0	0.300	0.090	0.259	0.078	B3117	B3127
3-WAY N.O.	1/32	0.79	1/32	0.79	200	14	0.018	0.018	0.016	0.016	B3211	B3221
	3/64	1.19	3/64	1.19	150	10	0.040	0.040	0.035	0.035	B3212	B3222
	1/16	1.59	1/16	1.59	125	8.6	0.065	0.070	0.056	0.061	B3213	B3223
	5/64	1.98	5/64	1.98	100	6.9	0.090	0.090	0.078	0.078	B3214	B3224
	3/32	2.38	5/64	1.98	75	5.2	0.155	0.090	0.134	0.078	B3215	B3225
	1/8	3.18	5/64	1.98	50	3.4	0.240	0.090	0.208	0.078	B3216	B3226
	5/32	3.97	5/64	1.98	15	1.0	0.300	0.090	0.259	0.078	B3217	B3227
3-WAY Multi Purpose	1/32	0.79	1/32	0.79	175	12	0.018	0.018	0.016	0.016	B3311	B3321
	3/64	1.19	3/64	1.19	125	8.6	0.040	0.040	0.035	0.035	B3312	B3322
	1/16	1.59	1/16	1.59	100	6.9	0.065	0.070	0.056	0.061	B3313	B3323
	5/64	1.98	5/64	1.98	75	5.2	0.090	0.090	0.078	0.078	B3314	B3324
	3/32	2.38	5/64	1.98	50	3.4	0.155	0.090	0.134	0.078	B3315	B3325
	1/8	3.18	5/64	1.98	25	1.7	0.240	0.090	0.208	0.078	B3316	B3326
	5/32	3.97	5/64	1.98	15	1.0	0.300	0.090	0.259	0.078	B3317	B3327
3-WAY Directional Control	1/32	0.79	1/32	0.79	275	19	0.018	0.018	0.016	0.016	B3411	B3421
	3/64	1.19	3/64	1.19	200	14	0.040	0.040	0.035	0.035	B3412	B3422
	1/16	1.59	1/16	1.59	150	10	0.065	0.070	0.056	0.061	B3413	B3423
	5/64	1.98	5/64	1.98	100	6.9	0.090	0.090	0.078	0.078	B3414	B3424
	3/32	2.38	5/64	1.98	75	5.2	0.155	0.090	0.134	0.078	B3415	B3425
	1/8	3.18	5/64	1.98	50	3.4	0.240	0.090	0.208	0.078	B3416	B3426
	5/32	3.97	5/64	1.98	25	1.7	0.300	0.090	0.259	0.078	B3417	B3427

SOLENOID VALVES

**2 Coil Construction**

- (blank)** = Tape-wrapped, Class B, with 18" (45.7cm) lead wires\* ⚡
- W**\_\_\_ = Tape-wrapped coil, lead wires, non-standard length (specify length)
  - 1** = Encapsulated coil, Class B, lead wires
  - 2M** = Over molded coil, Class F, lead wires (2-way N.C. only)
  - 3** = Encapsulated coil, Class H, lead wires
  - 3M** = Over molded coil, Class H, lead wires (2-way N.C. only)
  - 4** = Encapsulated coil, Class B, 3/16" (4.76mm) spade terminals
  - 5M** = Over molded coil, Class F, 1/4" (6.35mm) spade terminals (2-way N.C. only)
  - 6M** = Over molded coil, Class H, 1/4" (6.35mm) spade terminals (2-way N.C. only)
  - 10** = Externally rectified coil, AC Voltages (lead wires only) ⚡
  - 11** = Tape-wrapped coil, Class H, lead wires
  - HC2** = Encapsulated coil, Class B, EN175301-803 Form C DIN, Industrial, 9.4mm, 2+1 poles

**3 Body Material**

- (blank)** = 303 Stainless Steel\* ⚡
- BB** = Brass
- SB** = 304 Stainless Steel
- SB5** = 316 Stainless Steel
- SBF** = 430F Stainless Steel

**4 Plunger Seal Material**

- (blank)** = Nitrile\* ⚡
- E** = EPR ⚡
- GV** = Gasoline Viton® (2-way N.C. only)
- N** = Neoprene ⚡
- NS** = Nitrile (NSF/FDA material) ⚡
- PF** = Perfluoroelastomer ⚡
- R** = Rulon® (2-way N.C. only)
- T** = PTFE
- V** = Viton® ⚡

**5 O-Ring Material**

- (blank)** = Nitrile\* ⚡
- EO** = EPR ⚡
- NO** = Neoprene ⚡
- NSO** = Nitrile (NSF/FDA material) ⚡
- PFO** = Perfluoroelastomer ⚡
- TO** = PTFE
- VO** = Viton® ⚡

**6 Body Port Configuration**

- (blank)** = 1/8-27 NPT female thread\* ⚡
- LB** = 1/4-18 NPT female thread
- BD** = #10-32 female straight thread
  - max. orifice = 1/8" (3.18mm)
- LT** = 1/8-28 BSPT female thread
- LU** = 1/4-19 BSPT female thread (2-way N.C. only)
- MM** = Manifold mount (1/4-28 UNF-2A mounting stud)†††
- MM3** = Manifold mount (5/16-24 UNF-2A mounting stud)†††
- OB** = Omit body (operator style)
- MB** = Bottom metering (2-way N.C. only)
- BI** = Bottom over-seat port, female thread
  - max. orifice = 1/8" (3.18mm)
- BIM** = Bottom over-seat port, 1/8-27 NPT male thread
  - max. orifice = 5/64" (1.98mm), brass body only
- BO** = Bottom under-seat port, female thread
- BOM** = Bottom under-seat port, 1/8-27 NPT male thread
  - max. orifice = 1/8" (3.18mm), brass body only
- RL** = 90° porting - left hand
- RR** = 90° porting - right hand
- BS** = Stop port, #10-32 female straight thread

**7 Voltage†† (see note below)**

- C203** = 12 VDC ⚡
- C204** = 24 VDC ⚡
- C301** = 120/50/60R (add Coil Option -10) ⚡
- C303** = 240/50/60R (add Coil Option -10) ⚡
- \_\_\_ **VDC** = DC (specify DC voltage)
- \_\_\_ **VAC** = AC (specify AC voltage; includes copper shading ring)

**8 Additional Options**

- Y** = Yoke (2-way N.C. only)
- WM** = Mounting bracket
- TP** = PTFE coated plunger
- QO** = Quiet operation (2-way N.C. only)
- S** = Silver shading ring
- OC** = Cleaned for oxygen use
- VAC** = Vacuum application - 0 to 29.5" Hg (0 to 1000mBar)
- G1** = One-piece 303 Stainless Steel guide assembly (standard on 2-way normally open and all 3-way valves)
- G5** = One piece 316 Stainless Steel guide assembly
- SH** = 1" Diameter housing, grommet
- SC** = 1" Diameter housing, conduit

\* Standard selection; will be used unless otherwise specified. Standard selections are not referenced in final part number.

† Internal rectified available. Consult factory.

†† Can be AC rectified without shading ring. Use coil construction Code 10.

††† Teflon® o-ring not suitable for manifold mount.



Take advantage of next day shipping by making your selections from those marked with the Lightning Bolt icon.