

Small Size – Engineered Plastics

XMP/XTP-800 Series Delivers Excellent Chemical Compatibility

- ▶ PVC, Polypropylene or PVDF Materials
- ▶ 1/4" Resolution
- ▶ Lengths to 70 inches (177.8 cm)

Specifically designed to monitor chemical tanks and vats, the XMP-800 Series provides superb resistance to corrosive liquids and vapors. Use XMP-800 transmitters with GEMS Digital Bargraph Display Receiver or Level Cube Receivers described in this catalog. The XTP-800 Series adds a choice of signal conditioning for use with GEMS digital bargraph display receivers or other digital instrumentation and control equipment.

ORDER IT!
Ordering is Easy! See Page C-18.
Easy online ordering too!

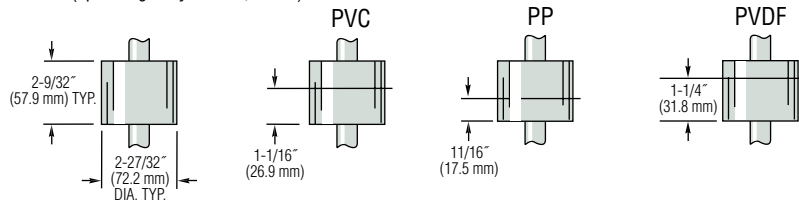


	Type A	Type B	Type C
	1" NPT	3" NPT	3" 150# Flange
XMP-800 Dimensions			
XTP-800 Dimensions			
Stem, Mounting and Float Stop Material	PVC, Polypropylene or KYNAR® (PVDF)		
Operating Temperature	See Chart, Next Page		
Operating Voltage	10-30 VDC		
Overall Length, Max.	70" (177.8 cm); please consult factory for longer lengths		

LEVEL SENSORS – CONTINUOUS

2. Float Types

Float submersion depths:
In water (specific gravity of 1.00; ±0.3")

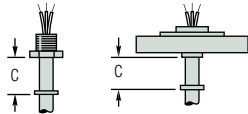
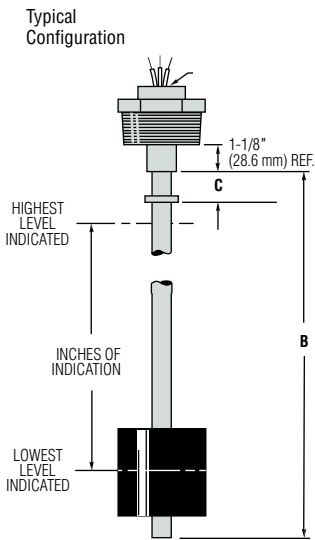


Material	Min. Liq. Specific Gravity	Part Number	Maximum Pressure vs. Temperature							
			0°F (17.8°C)	70°F (21.1°C)	100°F (37.8°C)	125°F (51.7°C)	140°F (60.0°C)	170°F (76.7°C)	200°F (93.3°C)	210°F (98.9°C)
PVC	.60	61326	50 PSI	50 PSI	35 PSI	20 PSI	10 PSI			
Polypropylene	.40	61327	50 PSI	50 PSI	40 PSI	35 PSI	30 PSI			
PVDF	.75	61328	50 PSI	50 PSI	45 PSI	40 PSI	35 PSI	30 PSI	25 PSI	25 PSI

■ = Not recommended at these temperatures

3. Dimensions

Typical Configuration



"C" Dimension begins at point where stem meets the mounting.

- B: Overall Length = Inches of Indication + C + X (See Table at Right)
 C: Distance From Bottom of Mounting to Float Stop (Customer Specified):
- 3/8" minimum when float stop is used.
 - 0" minimum when no float stop is used.

Calculating Length

- To find Overall Length when Inches or Indication is known:
- Inches of Indication + C* + X = Overall Length
- To find Maximum Inches of Indication when Overall Length is known:
- Overall Length - C* - X = Maximum Inches of Indication
- *C dimension is determined by customer.

Float Factor – X

Float Part Number	X
61326	3.5" (88.9)
61327	3.5" (88.9)
61328	3.5" (88.9)

Inch (mm)


4. Input/Output

For XM Series, no special output designation is necessary.
 For XT Series, specify the desired signal conditioning by Part Number.
 Additional information about GEMS signal conditioning modules is found on Page C-26.

Series	Input Voltage	Output Signal	Part Number	Electrical Termination	Compatible Mountings		
					Type A	Type B	Type C
XMP-800	10 to 30 VDC	Proportional Voltage	—	Lead Wires (3), #22 AWG, 24" (60.9 cm), Polymeric Jacket	•	•	•
XTP-800	8 to 24 VDC	0-5 VDC*	51965	Lead Wires, #22 AWG, 24" (60.9 cm), PTFE Jacket	•	•	•
	14 to 30 VDC	0-12 VDC*	51970		•	•	•
	8 to 24 VDC	0-5 VDC	154687	ABS Junction Box		•	•
	15 to 30 VDC	0-12 VDC	154685			•	•
	10 to 40 VDC	4-20 mA	116970			•	•
		4-20 mA	112300 ⚡	Panel Mount with Plug-in Base	•	•	•

* Stem mounted.

⚡ = Stock item

 <p>Photocopy This Form Use one form for each product type you are selecting. This form may also be completed online at gemssensors.com for RFQ.</p>	This is a <input type="checkbox"/> Request for a Quote <input type="checkbox"/> Order P.O.# _____	Name _____ Company _____ Street _____ City _____ State ____ Zip _____ Phone (____) _____ Fax (____) _____
	Quantity Needed _____ Date Required ____/____/____ Shipping Method: _____ Partials Accepted: <input type="checkbox"/> Yes <input type="checkbox"/> No	

Float Type Level Transmitters – XMP/XMT-800 Series Small Size, Engineered Plastics

Application Environmental Conditions

This information is essential to the accurate and proper operation of your GEMS configurable sensors. Please complete fully and accurately.

- | | |
|---|--|
| 1. Liquid Media: _____ | 5. Viscosity: _____ SSU |
| 2. Pressure: Minimum _____ psig Maximum _____ psig | 6. Tank Material: _____ |
| 3. Temperature: Minimum _____ °F Maximum _____ °F | Tank Depth: _____ |
| 4. Specific Gravity: Minimum _____ Maximum _____ | 7. Unit is Mounted In: <input type="checkbox"/> Tank Top <input type="checkbox"/> Tank Bottom |

1. Series:

- XMP-800 XTP-800

2. Mounting Type:

- Type A Type B Type C

3. Mounting and Stem Material:

- PVC Polypropylene PVDF

4. Float Type:

- 61326 – PVC 61327 – Polypropylene 61328 – PVDF

5. Dimensions:

a. Overall Length:

Indicating Length C Dimension X
 _____ + _____" + 3.5" = " 70" (177.8 cm) maximum.

Notes:

1. Consult factory for longer lengths.
2. Indicating Length: 1/2" Increments.
3. C Dimension: 3/8" minimum when float stop is used; 0" minimum when no float stop is used.

6. Input/Output:

a. Optional 24 VDC Power Supply:

- 115 VAC input 230 VAC input

b. Signal Conditioners (XTP-800 Series Only):

- 51965 (0-5 VDC – stem)
- 51970 (0-12 VDC – stem)
- 154687 (0-5 VDC – J-box)
- 154685 (0-12 VDC – J-box)
- 116970 (4-20 mA – J-box)
- 112300 (4-20 mA – panel mount)

Please contact Gems for any configuration or special requirements not covered on this form. **800-378-1600**

Quote: \$ _____ Date Quoted: ____/____/____

